



Buy it for looks. Buy it for life.®

*There is more than 1 version of this model.
Page down to identify the version you have.*

DESCRIPTION

- Metal construction
- Integral 1/2" PEX
- Includes 1/2" cold expansion PEX adapters
- Designed to be installed on decks up to 1-3/8" (35mm) on 10" centers
- Accommodates 1/2" (13mm) additional finish deck
- Includes test plug

OPERATION

- Can be installed with any Moen deck mounted Roman tub trim kit
- Rotate hot side handle counterclockwise to open (clockwise to close) and the cold side handle clockwise to open (counterclockwise to close)

FLOW

- Designed to deliver 17 gpm at 45 psi. (60L/min)

CARTRIDGE

- 1258 cartridge design with nonmetallic and stainless steel materials

STANDARDS

- Designed and manufactured to comply with the applicable requirements of: ASME A112.18.1/CSA B-125.1, ASTM F1807, CSA B137.5 for PEX, ASTM D2846, CSA B137.6 for CPVC and all applicable requirements referenced therein

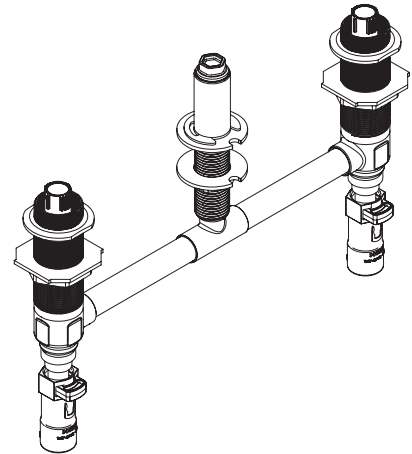
WARRANTY

- Lifetime limited warranty against leaks, drips and finish defects to the original homeowner
- 10 year limited warranty when used in a multifamily installation
- 5 year limited warranty when used in a commercial installation

Visit www.moen.com/support for complete details and limitations

NOTE: Plumbing codes require this product to be used with a device conforming to ASSE.

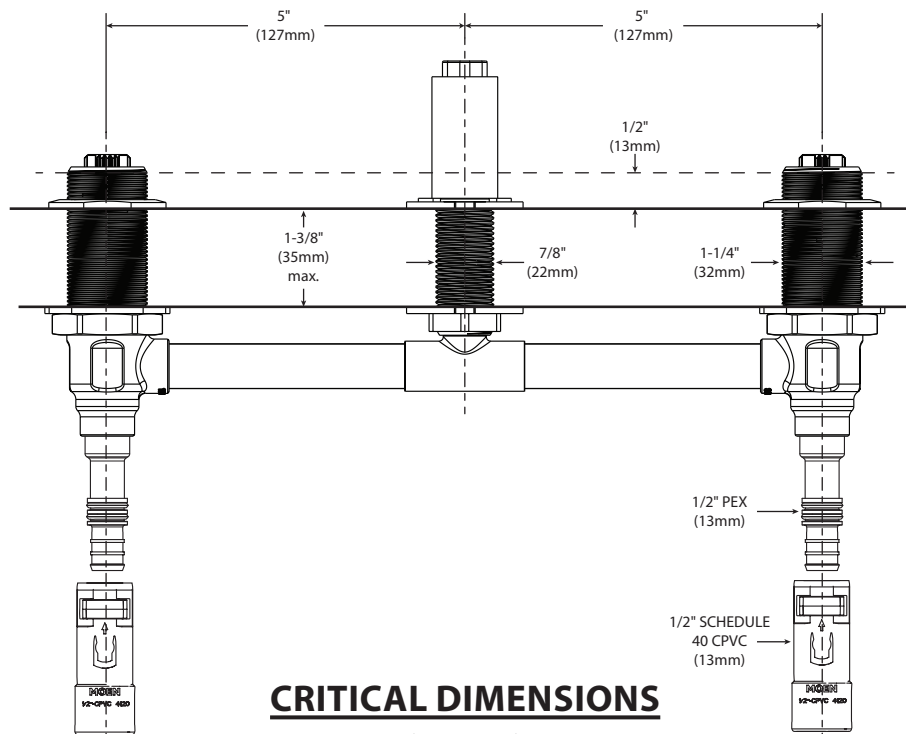
Specifications



Roman Tub High Flow Rough-In Valve 10" - Fixed Type

Model: 4798

104465 Thermostatic mixing valve sold separately is certified to ASSE 1070 and CSA B-125.3





Buy it for looks. Buy it for life.®

Specifications

DESCRIPTION

- Metal construction
- Integral 1/2" PEX
- Includes 1/2" cold expansion PEX adapters
- Designed to be installed on decks up to 1-7/8" (48mm) on 10" centers
- Accommodates 1/2" (13mm) additional finish deck
- Includes test plug

OPERATION

- Can be installed with any Moen deck mounted Roman tub trim kit
- Rotate hot side handle counterclockwise to open (clockwise to close) and the cold side handle clockwise to open (counterclockwise to close)

FLOW

- Designed to deliver 16 gpm at 45 psi. (60L/min)

CARTRIDGE

- 1248 cartridge design with nonmetallic and stainless steel materials

STANDARDS

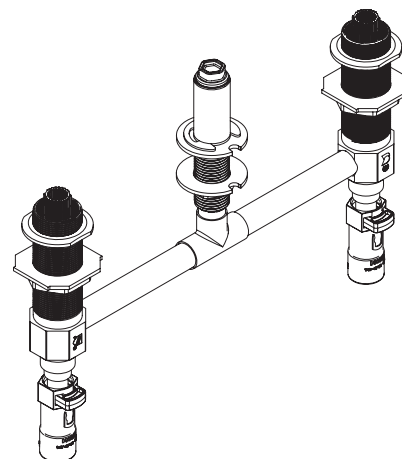
- Designed and manufactured to comply with the applicable requirements of: ASME A112.18.1/CSA B-125.1, ASTM F1807, CSA B137.5 for PEX, ASTM D2846, CSA B137.6 for CPVC and all applicable requirements referenced therein

WARRANTY

- Lifetime limited warranty against leaks, drips and finish defects to the original homeowner
- 10 year limited warranty when used in a multifamily installation
- 5 year limited warranty when used in a commercial installation

Visit www.moen.com/support for complete details and limitations

NOTE: Plumbing codes require this product to be used with a device conforming to ASSE.



Roman Tub High Flow Rough-In Valve 10" - Fixed Type

Model: 4798

104465 Thermostatic mixing valve sold separately is certified to ASSE 1070 and CSA B-125.3

